

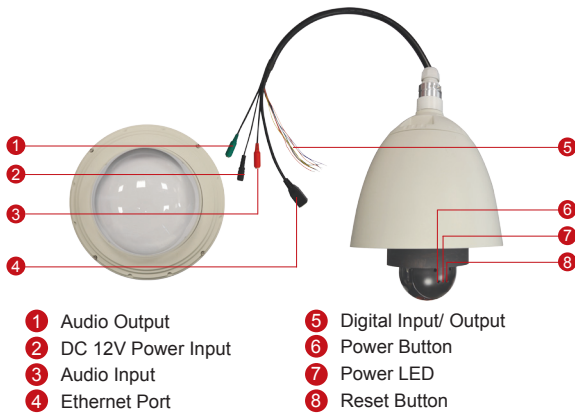
KCM-8211

2MP Outdoor PTZ with D/N,
Advanced WDR, SLLS, 18x Zoom lens

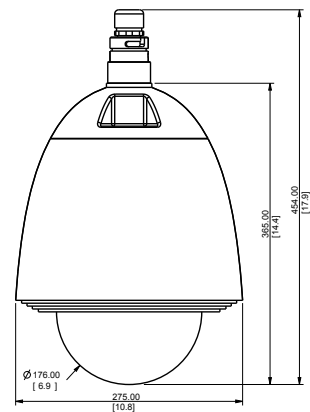


- 2 Megapixel with 1080p
- Day & Night with Superior Low Light Sensitivity
- 18x Zoom Lens with f4.7-84.6mm/F1.6-2.8, DC iris, Auto Focus
- Advanced WDR (80 dB)
- 15 fps at 1920 x 1080
- Pan & Tilt
- Weatherproof (IP66) and Vandal Proof (IK10)

PHOTO INDICATION



DIMENSION DIAGRAM



Unit: mm [inch]

ACCESSORY OPTIONS

Dome Cover		
PDCX-1107		7-inch, smoke, Vandal proof (IK10)

High PoE Injector		
PPOE-0110		High PoE Injector, IEEE 802.3at Power over Ethernet 3 different connectors included

Popular Mounting Solutions		
Wall	PMAX-0303	
Pendant	PMAX-0103	
Comer	PMAX-0303 PMAX-0402	
Pole	PMAX-0303 PMAX-0503	

* For more mounting solutions, please refer to Project Planner on www.acti.com

PRODUCT SPECIFICATION**KCM-8211****• Device**

Device Type	Outdoor PTZ Camera
Image Sensor	Progressive Scan CMOS
Sensor Size	1/2.8" (5.42 x 3.41 mm)
Day / Night	Yes
Superior Low Light Sensitivity	Yes
Minimum Illumination	Color: 0.1 lux at F1.6 (30 IRE, 2400°K); B/W: 0.05 lux at F1.6 (30 IRE, 2400°K)
Color to B/W switch	ISP based switch, configurable
Mechanical IR Cut Filter	Yes
IR Sensitivity Range	700 - 1100 nm
IR LED	No
Electronic Shutter	1/13 ~ 1/2,000 sec (50Hz); 1/15 ~ 1/2,000 sec (60Hz) (manual mode); 1/13 ~ 1/10,000 sec (50Hz); 1/15 ~ 1/10,000 sec (60Hz) (auto model)

• Lens

Focal Length	Zoom, f4.7 - 84.6 mm / F1.6 - 2.8
Zoom Ratio	18x optical; 16x digital
Zoom Speed	2 sec (1x ~ 18x)
Iris	DC Iris
Focus	Auto Focus
Horizontal Viewing Angle	48.9° ~ 3.6°

• PTZ

Manual Panning Speed	0.5° ~ 90°/s
Manual Tilting Speed	0.5° ~ 90°/s
Preset Panning Speed	0.5° ~ 450°/s
Preset Tilting Speed	0.5° ~ 450°/s
Panning Range	350° (360° pan via Auto-flip)
Tilting Range	0° ~ 180°
Control	Remote manual control; 64 preset points; 10 preset tours
Preset Panning Accuracy	0.265°
Preset Tilting Accuracy	0.265°
Absolute Position	Yes
Protocol	ACTi URL command, Sony Visca, Pelco D, Pelco P

• Video

Compression	H.264, MPEG-4 SP, MJPEG
Maximum Frame Rate vs. Resolution (H.264, MJPEG)	15 fps at 1920 x 1080; 30 fps at 1280 x 720; 30 fps at 640 x 480
Maximum Frame Rate vs. Resolution (MPEG-4 SP)	11 fps at 1920 x 1080; 25 fps at 1280 x 720; 30 fps at 640 x 480
Multi-Streaming	Simultaneous dual streams based on two configurations
Bit Rate	28 Kbps - 6 Mbps (per stream)
Bit Rate Mode	Constant, Variable
Image Enhancement	Advanced WDR (80 dB); White balance: automatic, hold and manual; Brightness; Contrast; Sharpness; Automatic gain control; 2D+3D Digital Noise Reduction; Flickerless; Defogging
Text Overlay	User defined text on video
Image Orientation	Image flip and mirror

• Audio

Audio	2-way
Compression	8 kHz, Mono, PCM, 16 bit encoding; G.711
Audio-In	3.5mm Phone Jack
Audio-Out	3.5mm Phone Jack

• Network

Protocol & Service	TCP, UDP, HTTP, HTTPS, DHCP, PPPoE, RTP, RTSP, IPv6, DNS, DDNS, NTP, ICMP, ARP, IGMP, SMTP, FTP, UPnP, SNMP, Bonjour
Ethernet Port	1, Ethernet (10/100Base-T), RJ-45 connector
Security	IP address filtering; HTTPS encryption; Password protected user levels; IEEE 802.1X network access control

• Alarm

Alarm Trigger	Video motion detection (3 regions); External device through digital input
Alarm Response	Notify control center; Go to PTZ preset point or preset tour; Change camera settings; Command other devices; E-mail notification with snapshots; Upload video, snapshot to FTP server; Activate external device through digital output

• Interface

Digital Input	2, cable without connector
Digital Output	2, cable without connector

• General

Power Source / Consumption	High PoE (IEEE802.3at) / 33.6W (with heater and fan on) DC 12V / 30W (with heater and fan on)
Weight	6700g (14.8 lb)
Dimensions (Φ x H)	275 mm x 454 mm (10.8" x 17.9")
Bundled Accessories	Power Adapter
Environmental Casing	Weatherproof (IP66 rated); Vandal proof (IK10 rated)
Mount Type	Pendant, Wall, Corner, Pole
Starting Temperature	-30°C - 45°C (-22°F - 113°F)
Operating Temperature	-40°C - 45°C (-40°F - 113°F)
Operating Humidity	10% ~ 85% RH
Approvals	CE (EN 55022 Class B, EN 55024), FCC (Part15 Subpart B Class B) Adapter: CE, FCC, UL, PSE, Efficiency level V

• Integration

Unified Solution	Fully compatible with ACTi software
ISV Integration	Software Development Kit (SDK) available; ONVIF Compliant
Firmware Access Browser	Microsoft Internet Explorer 8.0 or newer

* All specifications are subject to change without notice.

* All brand names and registered trademarks are the property of their respective owners.

www.acti.com